

USED ON
C 4070
A 7201

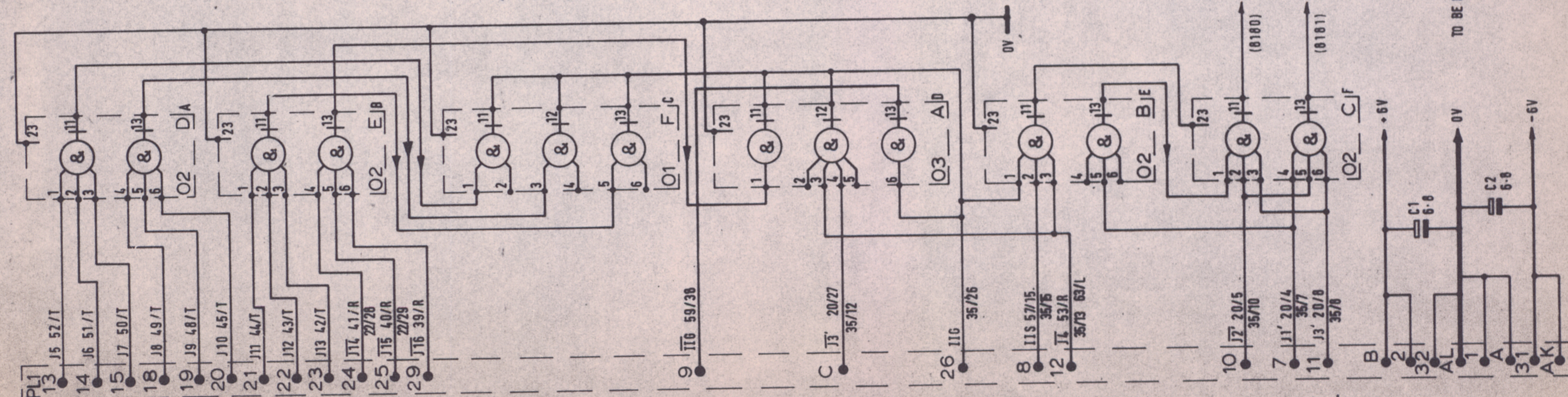
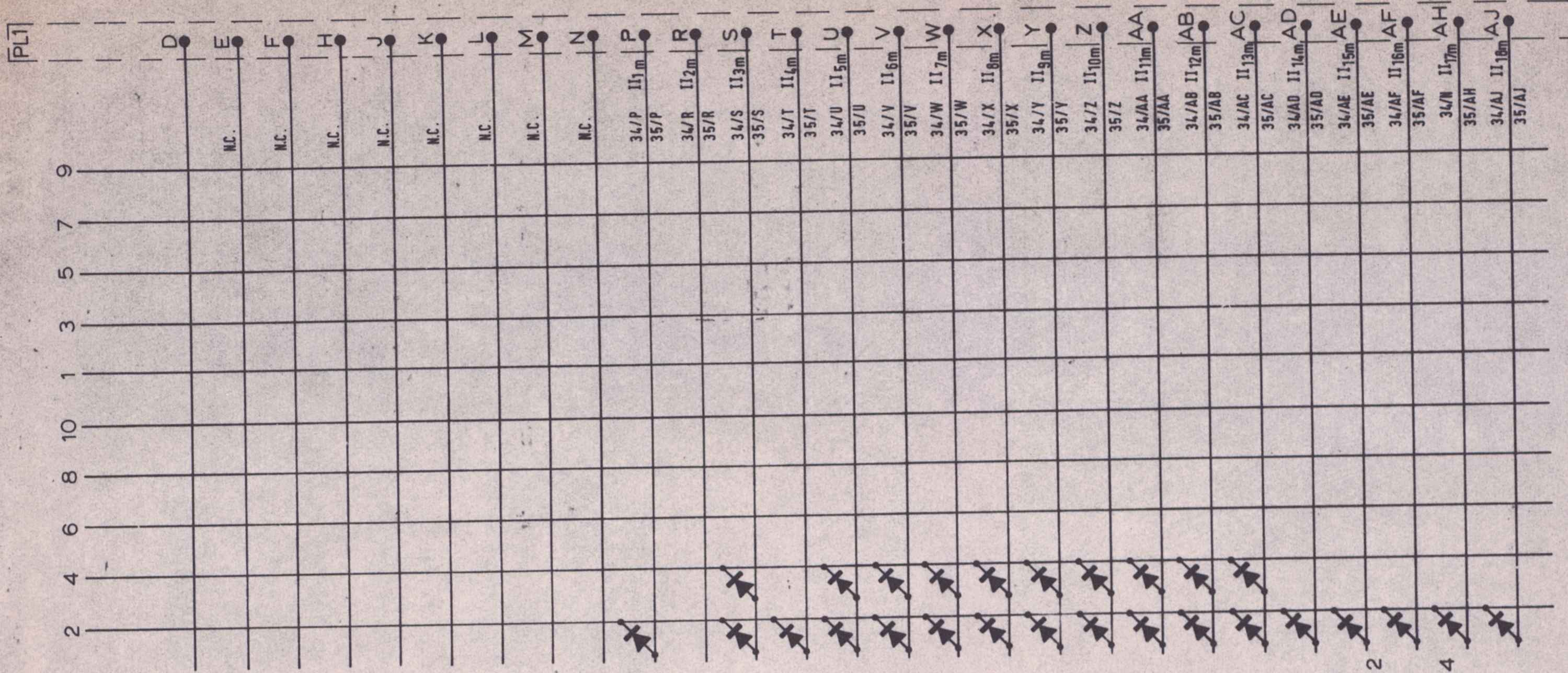
322 C 5227

THIRD ANGLE PROJECTION

DIMENSIONS IN INCHES UNLESS OTHERWISE STATED

DO NOT SCALE DRAWING

37



TO BE READ IN CONJUNCTION WITH 322A7191 TITLE:
BOARD A-GK POS.36
INITIAL INSTRUCTIONS 1

LATEST MI INCORPORATED... MI 2799 ~~3006~~ 2998

ISSUE No.	3
ALTERATION No.	1740
DATE	13.7.66.
INITIALS	S.N.
PARTS LIST No.	
DRAWN	S. NIBLETT.
CHECKED	G40
APPROVED	<i>[Signature]</i>
DATE	7-4-66

MATERIAL	FINISH
<small>© Elliott Brothers (London) Limited THIS DRAWING IS THE PROPERTY OF ELLIOTT BROTHERS (LONDON) LIMITED AND MAY NOT BE COPIED, REPRODUCED OR DISCLOSED FOR ANY PURPOSE EXCEPT AS AUTHORIZED IN WRITING BY ELLIOTT BROTHERS (LONDON) LIMITED</small>	
TOLERANCES LINEAR UNMACHINED SURFACES ± MACHINED SURFACES ± ANGULAR DIMENSIONS ± UNLESS OTHERWISE STATED	

ELLIOTT BROTHERS (LONDON) LTD	
TITLE	SCALE
BOARD A-GK. POS.36. INITIAL INSTRUCTIONS 1	322 C 5227